



PH: 405-340-3434
 FAX: 405-340-3435
 Edmond, OK 73013
 www.pelcoinc.com

This drawing is the property of Pelco and is not to be used in whole or in part without Pelco's written permission.

ASSEMBLY SHEET

REF:

TITLE:

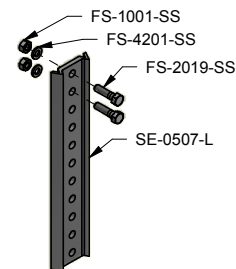
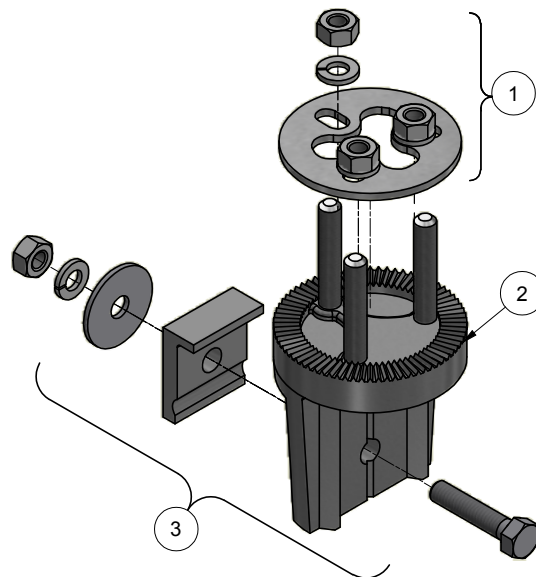
Tether Assy, Tri Stud Break-a-Way w/ Extender, Alum

PART NO.:

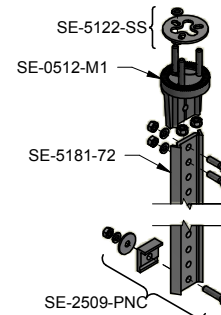
SE-5050

Example Part No.
 SE-5050-PNC
 SE-5050-11-PNC

Extender Length
 Process No Color=PNC
 Paint=PXX



Extender Kit Option
 (SE-5181-L)



For 72" Extender Option Only

Options	
Extender Length:	8", 11", 19", 24", or 72"
Paint	

Notes: 72" Extender will be shipped loose, assemble all other lengths.

ITEM	PART NUMBER	DESCRIPTION	QTY
1	SE-5122-SS	Hardware Kit, Tri-Stud w/o Gasket, 5/16"-18, Stainless Slotted Washer & Hardware	1
2	SE-0512-M1	Hanger Body, Tri-Stud, 5/16"-18, Alum	1
3	SE-2509-PNC	Tether Plate, L-Shaped w/ Hardware, Alum	1

Pelco Assy Rev: 125/17