



PH: 405-340-3434  
 FAX: 405-340-3435  
 Edmond, OK 73013  
 www.pelcoinc.com

This drawing is the property of Pelco and is not to be used in whole or in part without Pelco's written permission.

# ASSEMBLY SHEET

REF:

TITLE:

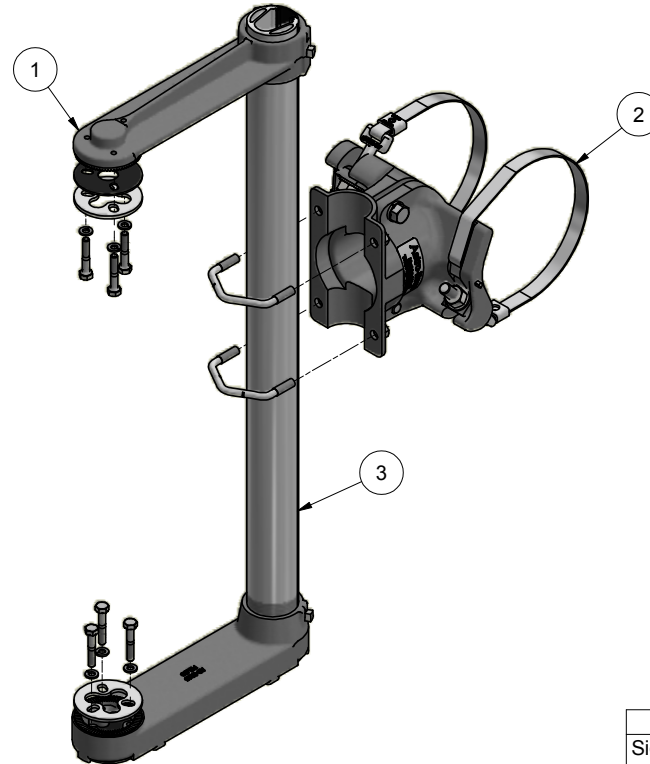
Astro-Brac Stellar Assy, 1-Way Band Mount, Alum

PART NO.:

AS-0116

PART NO  
 AS-0116-3-29-PXX  
 AS-0116-3-29-SS-PXX

Signal Section  
 Band Length  
 Stainless Upgrade  
 Process No Color=PNC  
 Paint=PXX



Band Length	Max Pole Dia
29"	7.3"
36"	9.6"
42"	11.5"
48"	13.4"
56"	15.9"
72"	21.0"
84"	24.8"
96"	28.7"
114"	34.4"

OPTIONS	
Signal Section:	
2 = 37" Tube	
3 = 46" Tube	
4 = 58" Tube	
5 = 74" Tube	
Band Length:	
Min 4.5" Pole Dia, Max See Chart	
SS=Stainless Upgrade	
Paint	

Note:

1. Stainless Upgrade=Stainless clamp screw on clamp kit.

ITEM	PART NUMBER	DESCRIPTION	QTY
1	AB-4005-PXX	Astro-Brac Arm Kit, 1-Way, 8-1/2" CTC, Stainless Slotted Washer, Alum	1
2	AS-3004-L-PXX	Astro-Brac Stellar Clamp Kit, Band Mount, Alum	1
3	AB-2003-L-PXX	Gusseted Tube w/ PVC Insert, 1-1/2" TOE x Length, Alum	1

Pelco Assy: Rev: 125/17